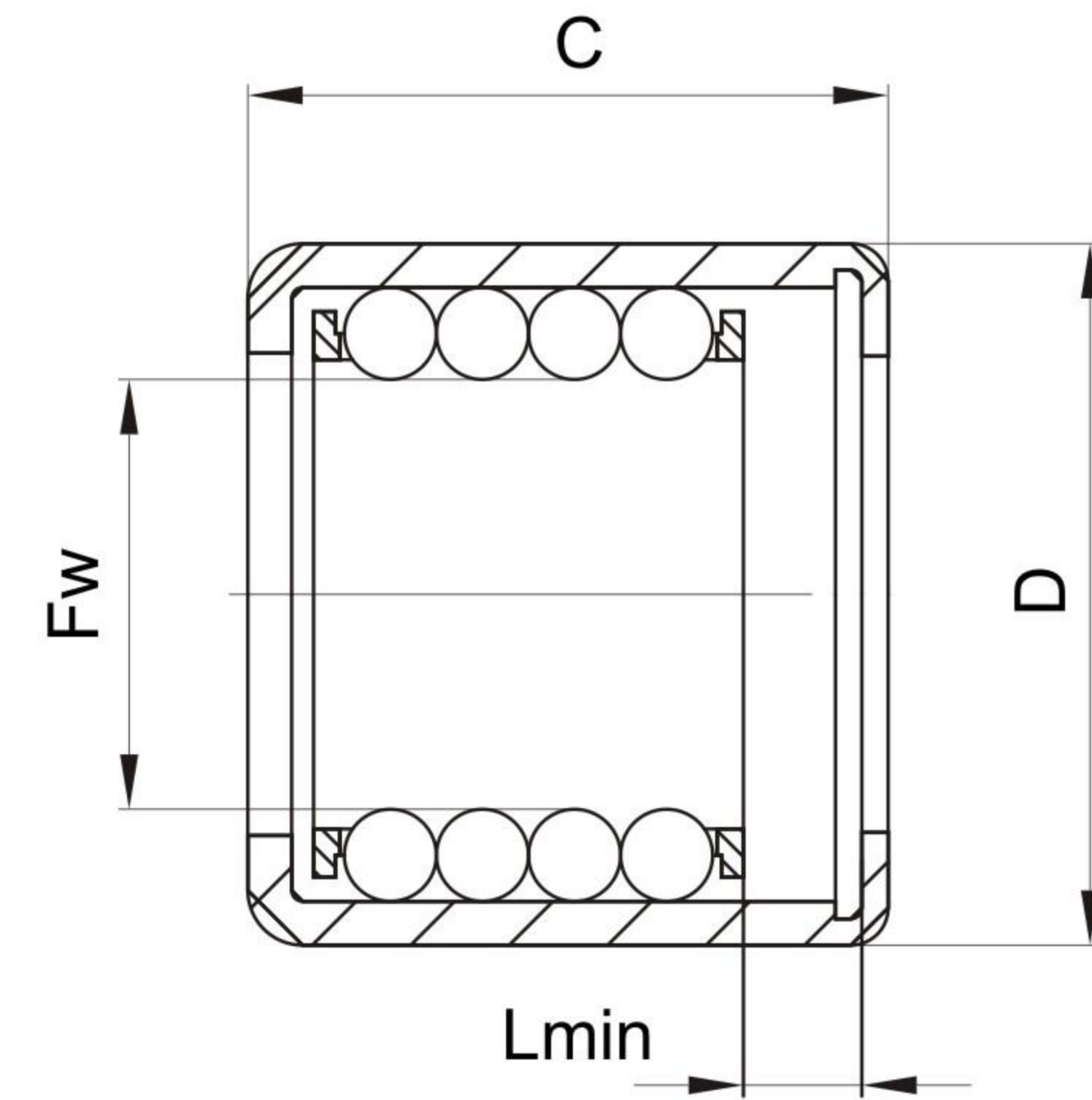


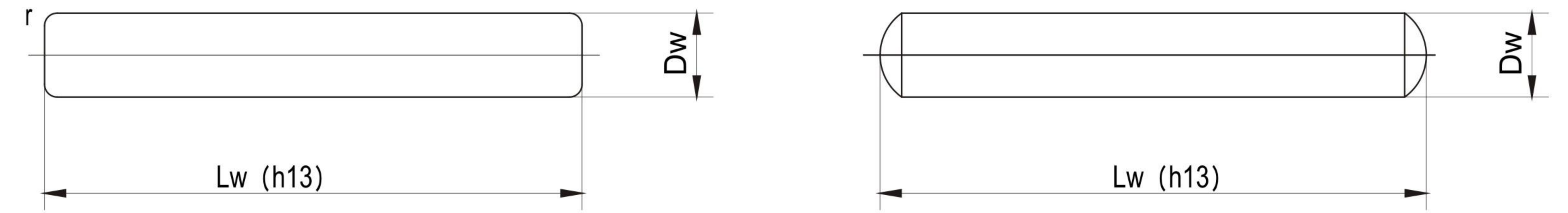
**图示 Illustration**

**产品介绍:**

冲压外圈直线轴承既适用于轴向运动，又适用于旋转场合的运动；由于轴在轴承上滚动，轴移动和旋转的力远远小于滑动轴承，常用于变速箱换挡轴承。

**Product introduction:**

Drawn cup linear bearings are not only applied for axial movement, but also rotating occasions; As shafts roll in the bearings, moving and rotating force of shafts is much less than that of sliding bearings, as a result, drawn cup linear bearings are often used in transmission gear-shift bearings.

基本尺寸(mm) Basic dimension			基本额定载荷(KN) Basic load rating		轴承代号 Bearing designation	最小行程 Minimum stroke L(mm)	重量 Weight W≈g
Fw	D	C	Cr	Cor			
14	20	18.2	0.44	0.29	301-43B	7.8	12
	20	12	0.44	0.29	LB142012ST	1.6	8
	20	16	0.44	0.29	LB142016ST	5.5	10
	20	21	0.44	0.29	LB142021ST	10.6	13
	20	21	0.85	0.78	LB142021ST-1	9	13
15	21	17	0.71	0.55	LB152117ST	6.5	16
	21	18	0.59	0.43	LB152118ST	5.5	16
	21	20.2	0.7	0.82	LB152120.2ST	8.5	18
	21	22	0.86	0.74	LB152122ST	10.3	20
	21	22	0.86	0.74	LB152122ST-1	10.3	20
	21	22	1.28	1.3	LB152122ST-2	1	22
	23	28	1.24	1.55	LB152328ST1	11.7	23
15	23	28	1.15	1.17	LB152328ST2	11.7	24.3
	24	33.8	2.4	1.65	LB152433.8ST	7.75	
18	24	17	0.63	0.85	LB182417ST	6.55	11
	24	22	0.46	0.3	301-43C	11.9	12
	24	22	0.85	0.6	LB182422ST	11.5	15
	24	23	0.37	0.77	LB182423ST1	10.65	16
	24	24	1.32	1.33	301-43D	7.5	21
	27	24	1.19	0.62	LB182724ST	11.95	20
20	26	27	1.01	0.89	LB202627ST	12	20
	27	26	1.46	1.24	LB202726ST	11.3	21
22	28	18	0.89	0.74	LB222818ST	7.55	23
30	37	26	1.15	0.84	LB303726ST	16.4	26

**图示 Illustration**

**产品介绍:**

XH提供的滚针品种全，覆盖滚针整个系列，材料由轴承钢制造，硬度一般在HRC60-65，表面粗糙度Ra≤0.2um,尺寸公差满足GB/T309-2000中G2的等级标准。

**Product introduction:**

XH provides a great variety of needle rollers, which are made of bearing steel, hardness generally around HRC60-65, surface roughness Ra≤0.2um, dimensional tolerances meet GB/T309-2000 G2 Standard.

序号 No.	滚动体规格 Rolling element specification	外形尺寸 Boundary dimensions(mm)		序号 No.	滚动体规格 Rolling element specification	外形尺寸 Boundary dimensions(mm)	
		DW	LW			DW	LW
1	1.49×6.5	1.49	6.8	31	2×18.25	2	18.25
2	1.5×5.8	1.5	5.8	32	2×19.8	2	19.8
3	1.5×6.3	1.5	6.3	33	2×21.8	2	21.8
4	1.5×6.8	1.5	6.8	34	2×23.85	2	23.85
5	1.5×7.8	1.5	7.8	35	2×24.8	2	24.8
6	1.5×9.8	1.5	9.8	36	2.02×10.3	2.02	10.3
7	1.5×11.8	1.5	11.8	37	2.1×6	2.1	6
8	1.5×13.8	1.5	13.8	38	2.249×6.3	2.249	6.3
9	1.5×15.8	1.5	15.8	39	2.37×16.3	2.37	16.3
10	1.5×19.8	1.5	19.8	40	2.3825×19.101	2.3825	19.101
11	1.5×21.8	1.5	21.8	41	2.413×16.63	2.413	16.63
12	1.505×4	1.505	4	42	2.5×7.8	2.5	7.8
13	1.6×9.8	1.6	9.8	43	2.5×9.8	2.5	9.8
14	1.6×11.8	1.6	11.8	44	2.5×11.3	2.5	11.3
15	1.6×17.8	1.6	17.8	45	2.5×11.8	2.5	11.8
16	2×4	2	4	46	2.5×13.8	2.5	13.8
17	2×6.8	2	6.8	47	2.5×14.8	2.5	14.8
18	2×7.8	2	7.8	48	2.5×15.8	2.5	15.8
19	2×8.1	2	8.1	49	2.5×16.7	2.5	16.7
20	2×8.8	2	8.8	50	2.5×17.3	2.5	17.3
21	2×9.8	2	9.8	51	2.5×17.8	2.5	17.8
22	2×10.8	2	10.8	52	2.5×19.2	2.5	19.2
23	2×11	2	11	53	2.5×19.8	2.5	19.8
24	2×11.8	2	11.8	54	2.5×20.8	2.5	20.8
25	2×12.3	2	12.3	55	2.5×21.8	2.5	21.8
26	2×12.8	2	12.8	56	2.5×22.3	2.5	22.3
27	2×13.6	2	13.6	57	2.5×23.8	2.5	23.8
28	2×13.8	2	13.8	58	2.5×26.8	2.5	26.8
29	2×15.8	2	15.8	59	2.5×28.8	2.5	28.8
30	2×17.8	2	17.8	60	2.5×29.8	2.5	29.8



序号 No.	滚动体规格 Rolling element specification	外形尺寸 Boundary dimensions(mm)		序号 No.	滚动体规格 Rolling element specification	外形尺寸 Boundary dimensions(mm)	
		DW	LW			DW	LW
61	2.6×10	2.6	10	74	3×8	3	8
62	2.6×11	2.6	11	75	3×9.5	3	9.5
63	2.613×16.5	2.613	16.5	76	3×9.8	3	9.8
64	2.62×10	2.62	10	77	3×10	3	10
65	2.63×10	2.63	10	78	3×11.8	3	11.8
66	2.635×8.8	2.635	8.8	79	3×12.8	3	12.8
67	2.635×10.3	2.635	10.3	80	3×13.8	3	13.8
68	2.7×10	2.7	10	81	3×14	3	14
69	2.73×9.8	2.73	9.8	82	3×14.8	3	14.8
70	2.9×9.8	2.9	9.8	83	3×15.8	3	15.8
71	3×5.75	3	5.75	84	3×17.8	3	17.8
72	3×6	3	6	85	3×19.8	3	19.8
73	3×7.8	3	7.8	86	3×21.8	3	21.8
1	3×23.8	3	23.8	33	4×15.5	4	15.5
2	3×24.8	3	24.8	34	4×15.8	4	15.8
3	3×25.8	3	25.8	35	4×17.8	4	17.8
4	3×26.8	3	26.8	36	4×19.8	4	19.8
5	3×27.8	3	27.8	37	4×21.8	4	21.8
6	3×29.8	3	29.8	38	4×23.8	4	23.8
7	3×31.8	3	31.8	39	4×25.8	4	25.8
8	3×33.8	3	33.8	40	4×26.8	4	26.8
9	3×39.8	3	39.8	41	4×27.8	4	27.8
10	3.175×18.62	3.175	18.62	42	4×29.8	4	29.8
11	3.175×21.6	3.175	21.6	43	4×33.8	4	33.8
12	3.175×23.11	3.175	23.11	44	4×34.8	4	34.8
13	3.18×13.7	3.18	13.7	45	4×37.8	4	37.8
14	3.2×5.9	3.2	5.9	46	4×38.8	4	38.8
15	3.457×21.49	3.457	21.49	47	4×39.8	4	39.8
16	3.5×11.8	3.5	11.8	48	4×26.16	4	26.16
17	3.5×13.8	3.5	13.8	49	4.5×13.8	4.5	13.8
18	3.5×15.8	3.5	15.8	50	4.5×29.8	4.5	29.8
19	3.5×17.8	3.5	17.8	51	4.505×8	4.505	8
20	3.5×19.8	3.5	19.8	52	4.755×25.4	4.755	25.4
21	3.5×21.8	3.5	21.8	53	4.755×30.15	4.755	30.15
22	3.5×23.8	3.5	23.8	54	5×13.8	5	13.8
23	3.5×25.8	3.5	25.8	55	5×14.8	5	14.8
24	3.5×27.8	3.5	27.8	56	5×17.8	5	17.8
25	3.5×29.8	3.5	29.8	57	5×18.8	5	18.8
26	3.5×31.8	3.5	31.8	58	5×19.8	5	19.8
27	3.5×34.8	3.5	34.8	59	5×20.5	5	20.5
28	3.55×6.5	3.55	6.5	60	5×21.8	5	21.8
29	3.967×17.44	3.967	17.44	61	5×23.8	5	23.8
30	4×10	4	10	62	5×24.8	5	24.8
31	4×12	4	12	63	5×25.8	5	25.8
32	4×13.8	4	13.8	64	5×27.3	5	27.3

序号 No.	滚动体规格 Rolling element specification	外形尺寸 Boundary dimensions(mm)		序号 No.	滚动体规格 Rolling element specification	外形尺寸 Boundary dimensions(mm)	
		DW	LW			DW	LW
65	5×27.8	5	27.8	83	6×19.8	6	19.8
66	5×29.8	5	29.8	84	6×21.8	6	21.8
67	5×34.8	5	34.8	85	6×23.8	6	23.8
68	5×35	5	35	86	6×24.8	6	24.8
69	5×37.8	5	37.8	87	6×29.8	6	29.8
70	5×38	5	38	88	6×34.8	6	34.8
71	5×39.8	5	39.8	89	6×35.8	6	35.8
72	5×44.8	5	44.8	90	6×39.8	6	39.8
73	5×49.8	5	49.8	91	6×43.8	6	43.8
74	5×53	5	53	92	6×44.8	6	44.8
75	5×59.8	5	59.8	93	6×49.8	6	49.8
76	5.5×15.8	5.5	15.8	94	6×59.8	6	59.8
77	5.5×17	5.5	17	95	6.193×23.75	6.193	23.75
78	5.545×23.7	5.545	23.7	96	6.35×28.57	6.35	28.57
79	5.558×31.75	5.558	31.75	97	6.35×35	6.35	35
80	5.558×38.1	5.558	38.1	98	7×14	7	14
81	6×13	6	13	99	7×21	7	21
82	6×18	6	18	100	7×27	7	27
1	7×30	7	30	12	8*80	8	80
2	7×35	7	35	13	10*30	10	30
3	7×38	7	38	14	10*40	10	40
4	7*41	7	41	15	10*50	10	50
5	7.5*25	7.5	25	16	10*60	10	60
6	7.5*36	7.5	36	17	10*70	10	70
7	8*13.79	8	13.79	18	10*80	10	80
8	8*30	8	30	19	10*90	10	90
9	8*40	8	40	20	10*100	10	100
10	8*60	8	60	21	12*60	12	60
11	8*70	8	70	22	12*80	12	80