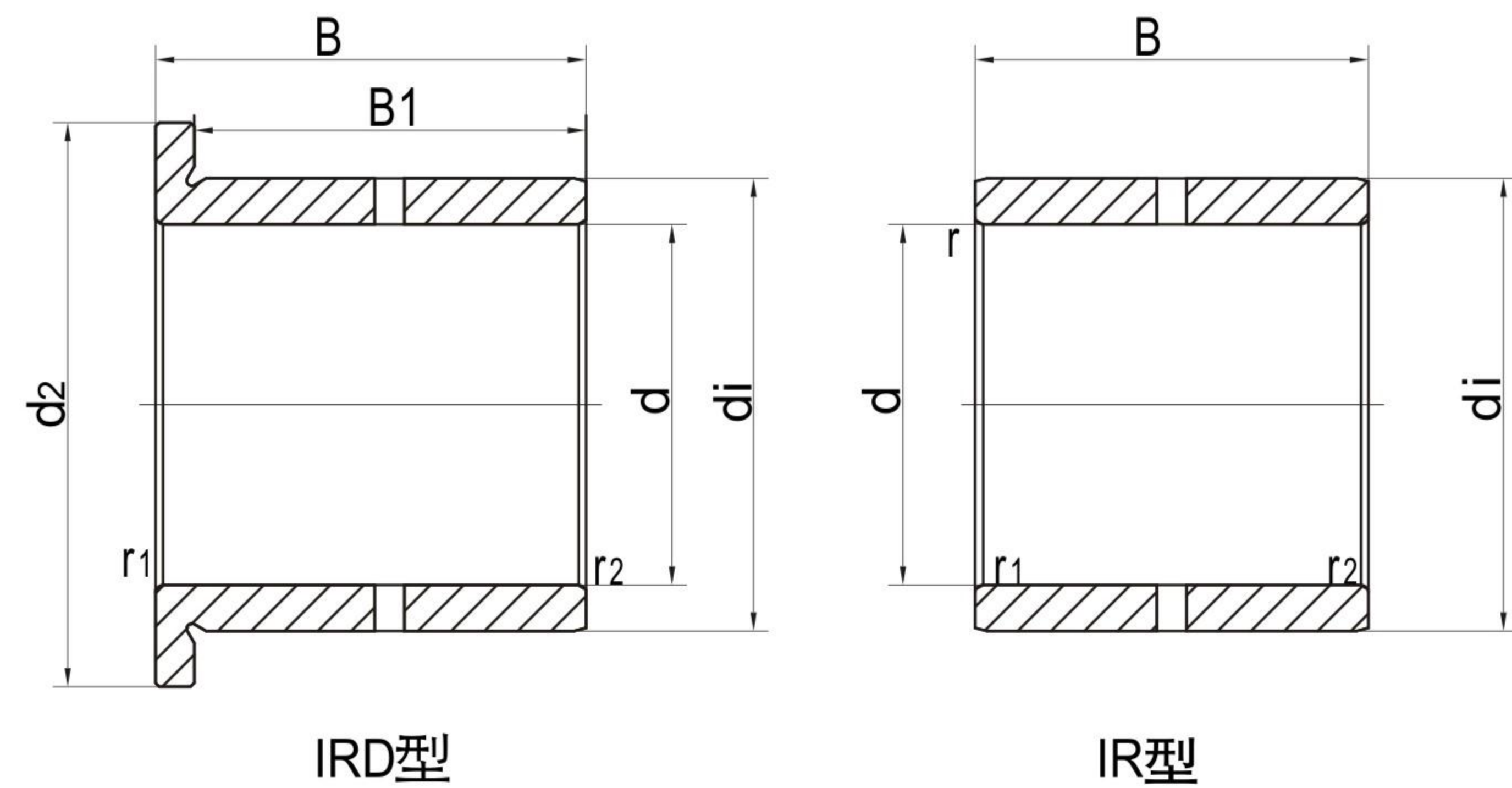


图示 Illustration



产品介绍:

如果轴的内圈不能直接作为滚道使用, 则可以用经济的内圈, 内圈可以与向心滚针和保持架组件, 和冲压外圈轴承配合使用, 内圈与滚针轴承配合时, 一般为普通组径向游隙, 也可以根据需要, 提供其它组别游隙的内圈; 内圈可带或不带油孔, 均可根据需要制作。

Product introduction:

If the inner ring of shaft cannot be used as raceway directly, economical inner rings can be used instead. Inner rings can be used with radial needle and cage assemblies and drawn cups together. When used with needle roller bearings, usually general radial internal clearance adopted, but also inner rings of other clearance group can be offered if required. Inner rings with or without oil holes depend on customer requests.

轴 Shaft	基本尺寸(mm) Basic dimension							产品代号 Product designation	重量 Weight W≈g
	d	di	d1	B	B1	r1 min	r2		
16	16	22	32	21.5	18.5	1.5	0.5	IRD 162221.5	38
18	18	24	-	21.5	-	0.5	1.5	IR 182421.5	32
	18	25	-	21.5	-	0.5	0.5	IR 182521.5	36
	18	25	-	24	-	1	1	IR 182524	3
	18	25	30	24	19	1	1	IRD 182524	51
19	19	25	-	39	-	0.5	0.5	IR 192539	61
20	20	25	-	24	-	1	1	IR 202524	32
	20	25	-	25	-	0.5	0.5	IR 202525	33
	20	27	-	28.1	-	0.5	0.5	IR 202728.1	55
	20	30.134	35	23	19.5	1	0.6	IR 203023	76
21	21.8	28	40	27	24	0.3	0.3	IRD 21.82827	63
22	22	27	-	30	-	0.5	0.5	IR 222730	44
	22	28	-	24	-	0.5	0.5	IR 222824	43
	22	28	40	27	24	0.5	0.5	IRD 222827	62
	22	30	40	27	24	0.3	0.3	IR 223027	80
24	24.25	30	54	17.1	10.03	0.5	1	IRD 24.33017.1	117
	24.25	30	54	19	10	0.5	1	IRD 24.33019	144
25	25	30	40	27	24	0.5	0.5	IRD 253027	56
	25	31.5	-	16	-	0.5	0.5	IRD 2531.516	32
	25	32	-	31	-	0.2	0.2	IR 253231	73
	25	40	-	15	-	0.3	0.3	IR 254015	88
	25	40	-	21	-	0.3	0.3	IR 254021	123
	25.5	32	-	27.5	-	0.5	0.5	IR 25.53227.5	60

轴 Shaft	基本尺寸(mm) Basic dimension							产品代号 Product designation	重量 Weight W≈g
	d	di	d1	B	B1	r1 min	r2		
26	26	35	-	17	-	0.5	0.5	IR 263517	55
	26.5	33.1	50	31.07	27	1	0.3	IRD 26.533.131.1	107
27	27.1	40.6	51	17.5	12.95	0.5	0.5	IRD 27.140.917.5/YA	123
28	28	32	-	28	-	0.5	0.5	IR 283228	40
	28	33	36.5	26.5	22	1	0.3	IRD 283326.5	55
	28	33	45	32.54	25	0.5	0.3	IRD 283332.5	95
	28	34.4	-	20.1	-	0.5	2	IR 2834.420.1	48
	28	34.4	-	24.1	-	0.5	2	IR 2834.424.1	57
29	29	34	-	18.1	-	0.5	0.5	IR 293418.1	34
	29	35	-	23.5	-	1.5	0.8	IR 293523.5	54
	29	35	-	24.2	-	0.5	0.5	IR 293524.2	55
	29.1	34	-	24	-	1	1	IR 29.13424	44
30	30	34	-	36.7	-	0.5	0.5	IR 303436.7	55
	30	34	-	36.75	-	1	1	IR 303437	56
	30	35	-	24	-	0.5	0.5	IR 303524	46
	30	35	-	27.15	-	0.5	0.5	IR 303527	53
	30	35	48	38.17	32.17	0.5	0.5	IRD 303538.2	118.5
	30	37	52	31.5	27	1	1	IRD 303731.5	126.6
	30	38	47	40.25	34	2.2	0.7	IRD 303840.3	160
	30	43	59	28	24	0.5	1	IRD 304328-1	200
	30	43.3	-	32.5	-	2	3	IR 304332.5	193
	30.2	39	-	43	-	0.5	0.5	IR 30.23943	159
	30.4	39	-	42	-	0.5	0.5	IR 30.43942	152
30.5	37	-	24	-	1.5	1.5	IR 30.53724	62	
30.6	35	-	25.8	-	0.3	0.3	IR 30.63525.8	45	
31	31	42	55	27.1	24.1	0.5	2	IRD 314227.1	153
	31	42	55	29.1	24.1	0.5	2	IRD 314229.1	180
	31.5	50	-	60.27	-	0.5	0.8	IR 31.55060.27	552
32	32	37	41.5	29.04	27	1	0.3	IRD 323729	65
	32	38	-	27	-	1.5	1.5	IR 323827	68
	32	38	56	30.3	25.1	1	0.5	IRD 32830.3	129
	32	38	54	38	33	0.5	1	IRD 323838	139
	32	40	54	27	23	0.5	1	IRD 324027	127
32	40	-	30.65	-	0.3	0.3	IR 324031	107	
33	33	38	42.5	29.04	27	1	0.3	IRD 333829	66
	33	38	-	31.5	-	1	1	IR 333831.5	67
	33.4	40	-	21	-	1.5	1.5	IR 33.44021	61
34.8	34.84	42	-	31	-	1.5	1.5	IR 34.84231	103
35	35	40	44.5	29.04	27	1	0.3	IRD 354029	71
	35	42	-	24.1	-	0.3	2.5	IR 354224.1	78
	35	42	55	27.5	24	2	0.5	IRD 354227.5	117
	35	42	55	29.6	26.1	2	0.5	IRD 354229.6	124
	35	43	-	23.2	-	0.5	0.5	IR 354323	87
	35	43	-	30.1	-	0.5	0.5	IR 354330	114
	35	45	-	28	-	1	1	IR 354528	136
	35	48	-	30	-	2	2	IR 354830	194
	35.4	43	-	31	-	0.5	0.5	IR 35.44331	112
35.5	40.8	-	22	-	0.5	0.5	IR 35.540.822	53	
35.9	42	-	27	-	1.5	1.5	IR 35.94227	77	
36	36	42	-	36.8	-	0.5	0.5	IR 364236.8	104
	36	42	46	36.8	34.3	0.5	0.5	IRD 364236.8	110
	36	43	-	37.15	-	1	1	IR 364337	124

